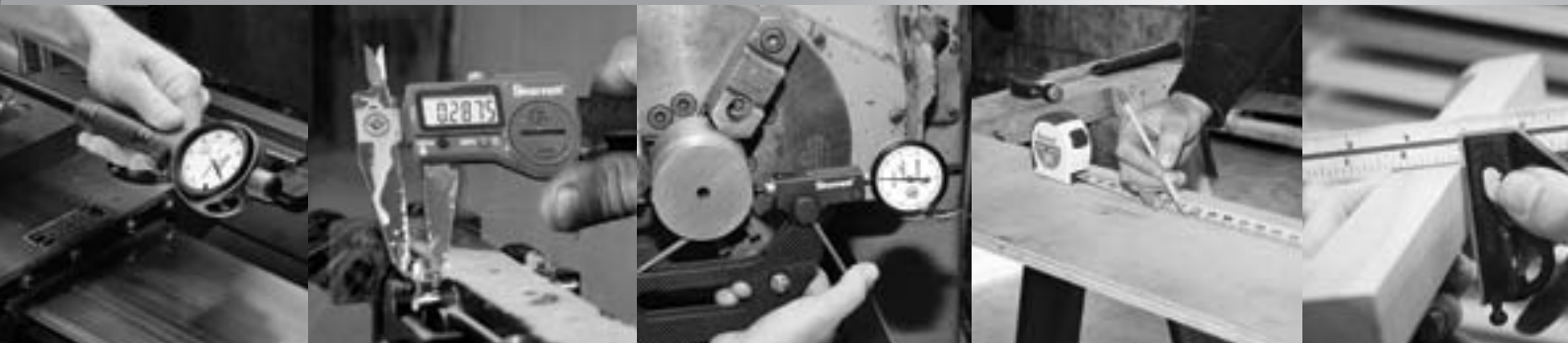


# Starrett®

*Measurement Solutions*



**Promo 11.1G**

# Starrett®

The L. S. Starrett Company's experience with precision measuring tools dates back to 1878 when our founder invented the combination square. Our early years were marked by many significant innovations, a rapidly growing product line and the evolution of larger and more sophisticated manufacturing capabilities.

Throughout the first half of the twentieth century, our catalogue expanded to include several thousand products with an unmatched reputation for precision, quality, durability and reliability.

Starrett tools were first marketed in Europe within a decade of our founding. In the 1950s, we established manufacturing facilities in the United Kingdom and Brazil.

Today, we manufacture precision tools at six facilities on four continents and market them worldwide – where ever there is a need for reliable precision measurement.

Today, the company maintains its position as a major producer of the highest quality precision measuring tools in the United States. While we market precision tools worldwide, we are best known for our saw products in Europe and South America.

This sale brochure offers a sampling of some of our best selling precision measuring tools, with products selected specifically for the requirements of manufacturers outside of North America. It provides an excellent opportunity for new users to experience the quality and reliability of Starrett precision.



## 3732 Electronic Micrometers without output



- Ring-type knurled lock nut for quick and sure locking
- Smooth friction thimble for uniform pressure
- Extremely hard and stable one-piece spindle
- Micro-lapped carbide measuring faces
- Auto-Off after 30 minutes
- HOLD, ZERO, and PRESET buttons
- Retains the true zero reading of the micrometer
- Case included

Cat No.	EDP	Range	Sale
3732MEXFL-25	12274	0-25mm	€ 99.00
3732MEXFL-50	12275	25-50mm	€ 120.00
3732MEXFL-75	12276	50-75mm	€ 139.00
3732MEXFL-100	12277	75-100mm	€ 160.00

## 444MXRL Micrometer



- 0.01mm graduations
- Micrometer with a thermal insulator cover mounted on the frame to avoid measuring errors
- Rigid one-piece frame of drop forged steel
- Extremely hard and stable one-piece spindle
- Micro-lapped carbide measuring faces

Cat No.	EDP	Range	Sale
444MXRL-25	11980	0-25mm	€ 40.00

## 795 / 796 Electronic Micrometers

- IP67 protection against coolant, water, dust and dirt
- Large, easy-to-read, high-contrast LCD digital readout
- No-glare satin chrome finish on thimble and sleeve
- Balanced frame
- Smooth operating one-piece friction thimble
- Micro-lapped carbide measuring faces
- Auto-Off after 20 minutes
- Millimeter/inch conversion
- Measurement HOLD button
- Zero at any position
- Spindle lock, shell & thimble metric grads.



Cat No.	EDP	Range	Resolution	Accuracy	RS232 Output	Sale
795MEXFL-25	69077	0-25mm / 0-1"				€ 155.00
795MEXFL-50	69078	25-50mm / 1-2"	0.001mm / .00005"	±.002mm / ±.0001"	Yes	€ 195.00
795MEXFL-75	69079	50-75mm / 2-3"				€ 220.00
795MEXFL-100	69080	75-100mm / 3-4"				€ 250.00
796MXFL-25	69084	0-25mm	0.001mm	±.002mm	No	€ 119.00

### 436 Outside Micrometers

- No glare Starrett satin chrome finish
- Ring-type knurled lock nut for quick and sure locking
- Combination ratchet and speeder for uniform pressure and quick adjustment
- Tapered frame for narrow slots and tight places
- Extremely hard and stable one-piece spindle
- Micro-lapped carbide measuring faces



Cat No.	EDP	Range	Grads	Sale
436.2MXRL-25	12755	0-25mm		€ 17.00
436.1MXRL-50	68053	25-50mm		€ 24.00
436.1MXRL-75	68056	50-75mm		€ 42.00
436.1MXRL-100	68059	75-100mm	0.01mm	€ 46.00
436.1MXRL-125	68062	100-125mm		€ 70.00
436.1MXRL-150	68065	125-150mm		€ 89.00
V436.2MXRL-25	12766	0-25mm		€ 30.00
V436.1MXRL-50	68054	25-50mm	0.001mm	€ 37.00
436.1XRL-1	67994	0-1"		€ 17.00
436.1XRL-2	68003	1-2"		€ 24.00
436.1XRL-3	68011	2-3"		€ 42.00
436.1XRL-4	68018	3-4"	.001"	€ 46.00
436.1XRL-5	68024	4-5"		€ 70.00
436.1XRL-6	68030	5-6"		€ 89.00

### S436 Outside Micrometer Sets



0-150mm Set  
complete with 5 Standards



0-300mm Set  
complete with  
11 Standards

Cat No.	EDP	Range	Grads	Sale
S436.2MCXRLZ	12776	0-150mm	0.01mm	€ 299.00
S436MEXRLZ	52014	0-300mm		€ 1199.00
S436.1CXRLZ	68044	0-6"	.001"	€ 299.00

### 3206 Micrometer Stand

- Converts outside micrometers to sturdy bench gauge for batch inspection of small parts
- Useful as a handy bench vise or assembly fixture
- Gripping surfaces are two replaceable nylon pads
- Ball joint construction allows head to be positioned as much as 30° off perpendicular in any direction
- Positive lock on base
- Base dimension is 162mm long x 89mm wide x 19mm thick (6-3/8" x 3-1/2" x 3/4")
- Tilting head clamping capability is 19mm thick x 25mm throat depth (3/4" x 1")

- Accommodates all Starrett 13mm (1/2") and 25mm (1") outside micrometers, Series 2 and 2A 50mm (2") outside micrometers and Series 210, 220, 483, 485 and 569 special purpose outside micrometers



Cat No.	EDP	Sale
3206	68917	€ 23.00

### 440/445 Depth Micrometers

- Combination ratchet and speeder for uniform pressure and quicker adjustment
- Ring-type lock nut for quick and sure locking
- Includes protective case



Cat No.	EDP	Range	Base	No. of Rods	Rod Diameter	Sale
440MZ-75RL	52116	0-75mm	63.5mm	3	3.2mm	€ 82.00
440MZ-150RL	52120	0-150mm		6		€ 125.00
445MBZ-75RL	52221	0-75mm	100mm	3	4mm	€ 92.00
445MBZ-150RL	52225	0-150mm		6		€ 130.00

### 749 Electronic Depth Micrometer with output

- 100mm (4") base is hardened, ground, and lapped for long-lasting precision
- 4mm (5/32") rod diameter
- Large high-contrast LCD digital readout
- Ring-type knurled lock nut
- Combination ratchet and speeder
- Auto-Off after 30 minutes
- Measurement HOLD button
- Zero at any position
- PRESET button
- Min/Max limits
- RS232 data output port



Cat No.	EDP	Range	Sale
749MEBZ-150	66124	0-150mm / 0-6"	€ 375.00

### Electronic Indicators

#### 3600 Electronic Indicators

- Readout to 12.7mm or .500"
- Lug-on-center back
- Zero at any position
- Plus/minus direction indication
- Auto-Off after 1 hour
- Non-output



#### 2720-0M WISDOM® Indicator

- Accuracy of ± two resolutions
- 8 resolutions available
- Plus or minus travel direction
- Zero at any position of the spindle
- Auto-off after 10 minutes of non-use
- Traceable serial number label coded with date
- RS232C output



Cat No.	EDP	Range	Resolution	Sale
3600M-5	68918	25mm	0.01mm	€ 70.00
3600-5	68813	25mm/1"	0.01mm/.0005"	€ 70.00
2720-0M	67140	15mm/.600"	0.001mm/.00005"	€ 399.00

### 653 Comparator Stand for Dial Indicators



- Precision ground cast iron base measuring approximately 200 x 225mm (8" x 9")
- Rugged comparator for in-process and final inspection
- Vertical adjustment and ability to swing indicator to either side and lock into place
- Hand lifting lever raises the spindle and releases it to contact the work
- Vertical capacity of 235mm (9-1/4")
- Throat depth of 125mm (5")
- Vertical indicator fine adjustment of up to 12.7mm (1/2")

Cat No.	EDP	Description	Sale
653	55917	Comparator with Cast Iron Base, without Indicator	€ 275.00

### 660 Magnetic Base Indicator Holder with triple jointed arm



- Compact and versatile with three adjustable pivots controlled by a single knob
- 70lb (320N) holding force
- Positive On/Off switch
- Holds any indicator with 9.5mm (3/8") stem or standard dovetail mount
- Articulating arm provides full 360° horizontal and over 180° vertical positioning
- Very sensitive fine-adjustment thumb screw

Cat No.	EDP	Max. Reach	Sale
660	68621	Horizontal: 120mm (4.750") Vertical: 190mm (7.500")	€ 59.00

### 3657 Magnetic Base Indicator Holders



- Accommodates all Starrett test, back-plunger, AGD, dial and miniature-dial indicators as well as similar indicators of other manufacturers
- Fine adjustment
- Positive On/Off switch

Cat No.	EDP	Description	Sale
3657AA	68849	Magnetic Base with attachments: Upright Base Post, Snug, Rod, Indicator Attachment	€ 39.00
3657MTW	12696	Magnetic Base Flex O Post Indicator Holder	€ 89.00

### Dial Indicators



#### 3025, 3081, 81-181J-8 Indicators

- Tolerance hands and bezel lock
- Long life jewel bearings
- Lug-on-center back

#### 3808 & 3809 Indicators

- Precision gear-driven design
- Reversible contact point direction
- Multiple dovetail locations



Cat No.	EDP	Range	Graduation	Dial Reading	Sale
3025-257J	68601	1mm	0.001mm	0-200	€ 46.00
3025-481	61961	10mm	0.01mm	0-100	€ 18.00
3025-481/5	66296	5mm	0.01mm	0-100	€ 29.00
3081-481/5	66504	5mm	0.01mm	0-100	€ 38.00
3808MA	12332	0.2mm	0.002mm	0-100-0	€ 65.00
3809MA	12334	0.8mm	0.01mm	0-40-0	€ 48.00
81-181J-8	64645	2.5mm	0.01mm	0-50-0	€ 69.00

### 661M Mini Magnetic Indicator Base



- 133N holding force
- 30mm base diameter
- 25.4mm base height
- 106mm overall height
- Holds indicators with 9.5mm metric stems or standard dovetail mounts
- Fits over spindles and posts with diameter of 6.3mm

Cat No.	EDP	Sale
661M	68732	€ 28.00

### 1015 & 3015 Dial Thickness Gauges



- Precision ground contacts
- Jeweled bearings
- Ergonomic grip
- 0-100 Dial Reading

Cat No.	EDP	Range	Graduation	Sale
1015MA	56131	0 - 10mm	0.01mm	€ 179.00
3015MA	11661			€ 49.00

### 649-1M Spindle Square



- Accurate, fast and convenient tool for tramping the head of vertical milling machines
- Fully assembled with two AGD Group 2 dial indicators
- Patented design
- Solid steel body construction with durable black oxide finish
- Ground gauging surface
- 9.5mm / 3/8" shank diameter
- 100mm / 4" between contact points
- Approximately 172mm / 6.3/4" wide and 140mm / 5.1/2" from the top of the shank to the end of the contact points

Cat No.	EDP	Range	Graduation	Sale
649-1M	52082	2.5mm	0.01mm	€ 125.00

### Thickness Gauges



- Straight leaves made of the finest tempered steel, carefully finished to correct thickness, individually tested and marked with thickness
- Locking device permits secure locking of one or more leaves in position
- Leaves are easily removed or replaced
- Rugged, substantial steel case protects leaves

Cat No.	EDP	Description	Sale
66	50314	Inch-reading; 26 leaves; 1/2" x 3.1/32" leaves; Range: .0015-.025"	€ 29.00
66MA	55974	mm-reading; 20 leaves; 12.7 x 77mm leaves; Range: 0.05-1.0mm	€ 27.00
173MAT	57087	mm-reading; 13 leaves; 12.7-7 x 77mm tapered leaves; Range: 0.03-0.50mm	€ 25.00
467M	52465	mm-reading; 13 leaves; 12.7 x 114mm leaves; Range: 0.04-5.0mm	€ 65.00

### 3089 Dial Bore Gauges



Starrett 3089 Dial Bore Gauges offer precision, a full compliment of features and excellent value.

- Non-slip insulating grip
- Carbide contacts for extended wear
- Aluminum case with gauge and accessory cutouts
- Gauge chart for quick and easy anvil selection
- 2-point contact

Cat No.	EDP	Probe Depth	Measuring Range	Grads	Contacts	Extension	Sale
3089M-181-35J	12201	125mm	18-35mm	0.01mm	9	(0.5 & 1mm spacers)	€ 149.00
3089M-181-50J	12202	150mm	35-50mm		4	(0.5, 1, 2 & 3mm spacers)	€ 145.00
3089M-181-160J	12203	150mm	50-160mm	.0005"	12	(0.5, 1, 2, 3 & 6mm spacers)	€ 168.00
3089M-181-250J	12204	400mm	160-250mm		5	55mm	€ 205.00
S3089MZ-181-160J	13015	125-150mm	18-160mm		9, 4, 12	50mm	€ 299.00
3089Z-131-715J	12456	6"	0.7-1.5"		2	-	€ 149.00
3089Z-131-1424J	12457	6"	1.4-2.4"		4	-	€ 145.00
3089Z-131-26J	12458	6"	2-6"		4	2"	€ 168.00
S3089Z-131-6J	13016	6"	0.7-6"		10, 4, 1, 2	2"	€ 299.00

### 124 Inside Micrometer Sets



- Rod diameters are approximately 6mm (1/4") and have individual length adjustment for the anvil
- Solid measuring rods assembled on one side of the micrometer head
- Insulated rods marked with length
- Hardened and ground anvils on rods, adjustable for length
- Convenient 165mm (6.1/2") handle available for use in deep holes
- Includes protective case

Cat No.	EDP	Range	Movement of Screw	Measuring Rods	Spacing Collars	Sale
124AZ	50542	2-8"	1/2"	6	One 1/2"	€ 135.00
124BZ	50546	2-12"		10		€ 169.00
124MAZ	56141	50-200mm	13mm	6	One 12mm	€ 135.00
124MBZ	56142	50-300mm		10		€ 169.00

**798B Electronic Slide Calipers**  
with output



- IP67 protection against coolant, water, dirt and dust
- Heavy-duty 3.5mm bar and slide
- Hardened stainless steel measuring surfaces
- Fine adjustment
- Slide lock
- Millimeter/inch conversion
- Zero at any position
- Auto-Off after 30 minutes
- Resolution: 0.01mm (.0005")
- Data Output

Cat No.	EDP	Range	LCD	Sale
798B-6/150	12521	150mm/0-6"		€ 89.00
798B-8/200	12523	200mm/0-8"	7.9mm/.32"	€ 125.00
798B-12/300	12525	300mm/0-12"		€ 186.00

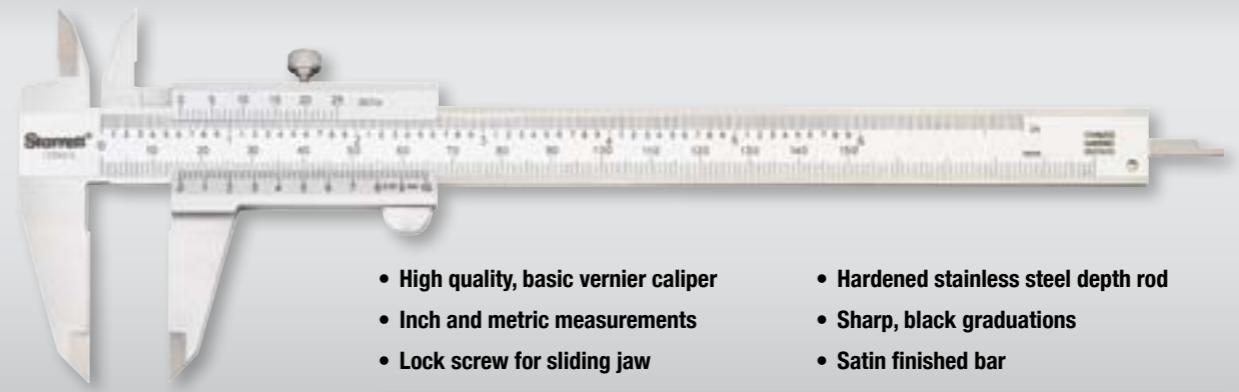
**799 Electronic Slide Calipers**



- Hardened stainless steel body
- Fine adjustment thumb wheel
- Zero at any position
- mm/inch conversion
- Last position retained when shut-off
- Integrated depth rod
- Auto-Off after 5 minutes
- Resolution: 0.01mm (.0005")

Cat No.	EDP	Range	LCD	Sale
799A-6/150	67410	150mm/0-6"		€ 52.00
799A-8/200	67412	200mm/0-8"	7.9mm/.32"	€ 109.00
799A-12/300	67621	300mm/0-12"		€ 160.00

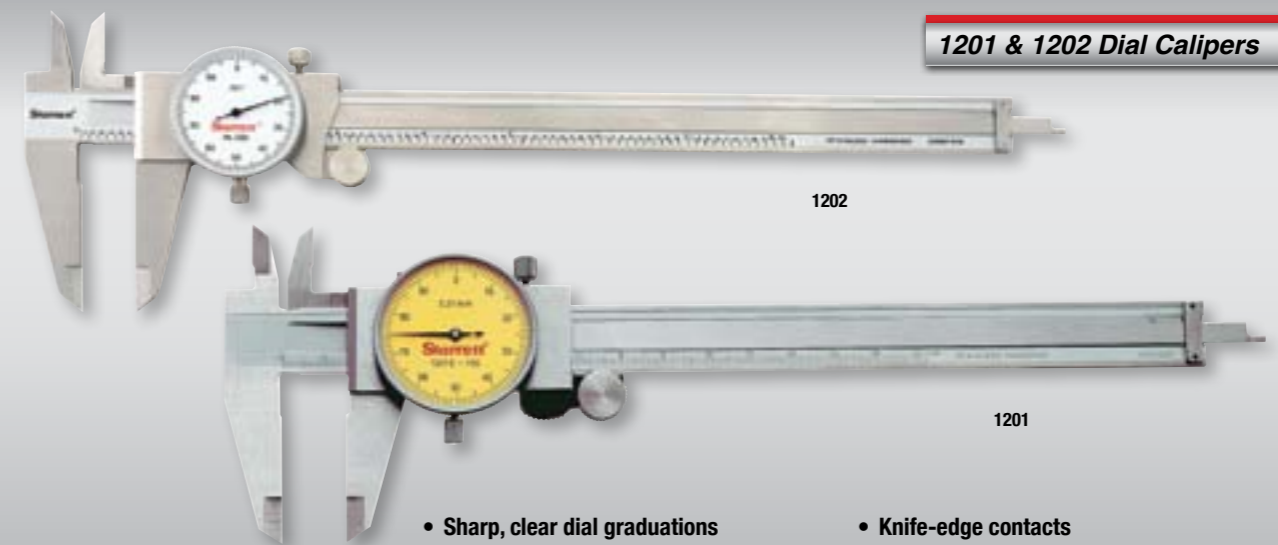
**125 Vernier Caliper**



- High quality, basic vernier caliper
- Inch and metric measurements
- Lock screw for sliding jaw
- Hardened stainless steel depth rod
- Sharp, black graduations
- Satin finished bar

Cat No.	EDP	Range	Graduations	Sale
125MEA-6/150	61660	6" / 150mm		€ 19.00
125MEA-8/200	61882	8" / 200mm	0.001" / 0.02mm	€ 41.00
125MEA-12/300	61886	12" / 300mm		€ 115.00
125MA-150	61880	150mm		€ 19.00
125MA-200	61884	200mm	0.02mm	€ 41.00
125MA-300	61888	300mm		€ 115.00
125MB-150	61881	150mm		€ 19.00
125MB-200	61885	200mm	0.05mm	€ 37.00
125MB-300	61889	300mm		€ 109.00
125MEB-6/150	61661	6" / 150mm		€ 19.00
125MEB-8/200	61883	8" / 200mm	1/128" / 0.05mm	€ 37.00
125MEB-12/300	61887	12" / 300mm		€ 109.00

**1201 & 1202 Dial Calipers**



- Sharp, clear dial graduations
- Quick, accurate measurements
- Measures inside and outside diameters and depth
- Knife-edge contacts
- Hardened stainless steel bar, measuring surfaces, rack, gears and depth rod

Cat No.	EDP	Range	Graduations	Sale
1201M-150	66962	150mm		€ 59.00
1201M-200	66976	200mm	0.01mm	€ 109.00
1202M-150	66963	150mm		€ 55.00
1202M-200	66977	200mm	0.02mm	€ 99.00
1202M-300	66978	300mm		€ 150.00

### 3753 Electronic Depth Gauges

- Millimeter/inch conversion
- Zero at any position
- Hold readout at any position
- Manual ON/OFF
- Auto-Off after 15 minutes
- LIMITS button allows high and low limits to be set
- Linear accuracy:  $\pm 0.03\text{mm}$  ( $\pm .001''$ )
- Resolution:  $0.01\text{mm}$  ( $.0005''$ )
- Includes case



Cat No.	EDP	Range	Sale
3753A-6/150	12258	0-150mm/0-6"	€ 150.00
3753A-8/200	12259	0-200mm/0-8"	€ 175.00
3753A-12/300	12260	0-300mm/0-12"	€ 210.00

### 679 Inspection Scope



- Allows remote inspection of areas inaccessible to the naked eye
- Ideal for machining operations, inspection of internal parts of engines and machinery, A/C systems, and interior structures of walls
- User-friendly auto-focus digital video camera
- Three light intensity settings
- 90cm (3') or 180cm (6') flexible, water resistant shaft with high quality metal tip
- Full colour image sensor and dual solid state LEDs provide imaging and illumination
- 2.5" full colour LCD screen displays live video
- Mirror allows viewing 90° to shaft axis
- Magnet capable of picking up about 113g (1/4lb)
- Durable nylon handle, rugged, protective case and one year warranty

Cat No.	EDP	Description	Sale
679-3	60360	Inspection Scope - 3' / 90cm	€ 199.00
679-6	60361	Inspection Scope - 6' / 180cm	€ 249.00

### 3751 / 3752 Electronic Height Gauges

- Hardened, stainless steel bar for long life
- Fine adjustment thumb roll and slide lock
- Inch-millimeter conversion
- Zero at any position
- Manual ON/OFF
- Auto-Off after 5 minutes
- Linear Accuracy:  $\pm 0.02\text{mm}$  ( $\pm .001''$ )
- Resolution:  $0.01\text{mm}$  ( $.0005''$ )
- Includes case



Cat No.	EDP	Range	Description	Sale
3751AZ-6/150	12221	0-150mm/0-6"	Electronic Height Gauge without Output	€ 175.00
3752-12/300	68815	0-300mm/0-12"	Electronic Height Gauge w/RS232 Output	€ 320.00
3752-24/600	68816	0-600mm/0-24"	Electronic Height Gauge w/RS232 Output	€ 499.00

### 3047 / 3088 Gauge Blocks



- Manufactured from a high grade of steel to ISO 3650 Grade "0" or Grade "1"
- Carefully heat treated and stress relieved for high stability
- Precision lapped for good wringing properties
- Each block is stamped with individual size
- Supplied with a UKAS Calibration Certificate

Cat No.	EDP	No. of Blocks	Description	Sale
3047-0	20804	47 Grade "0"	1.005, 1.01 to 1.19 by 0.01mm step, 1.2 to 1.9 by 0.1mm step,	€ 699.00
3047-1	20805	47 Grade "1"	1-10 by 1mm step, 20-100 by 10mm step	€ 599.00
3088-0	20806	88 Grade "0"	1.0005, 1.001 to 1.009 by 0.001mm step, 1.01 to 1.49 by 0.01mm	€ 999.00
3088-1	20807	88 Grade "1"	step, 0.5 to 9.5 by 0.5mm step, 10-100 by 10mm step.	€ 799.00

### 98 Machinists' Levels



- Ground and graduated main vials
- 150mm/6" and 200mm/8" levels include cross test vial for simultaneous leveling in both directions
- Vials are adjustable to a positive setting
- Vials housed in satin finished brass tube with friction-fit closing cover
- Involute groove running the length of the base

Cat No.	EDP	Size	Sale
98-4	50440	100mm/4"	€ 59.00
98-6	50441	150mm/6"	€ 70.00
98-8	50442	200mm/8"	€ 90.00

### 3097Z Machinists' Level



- Main vials have seven graduations on each side of the bubble with 10-second accuracy
- Auxiliary level vial shows lateral position and assists in horizontal setting
- One division on the vial represents 0.02mm/m (.0005"/foot)
- Special alloy iron used to obtain freedom from thermal effects
- Includes attractive aluminum case

Cat No.	EDP	Size	Sale
3097Z	12312	200mm/8"	€ 139.00

### 9 Combination Square Sets

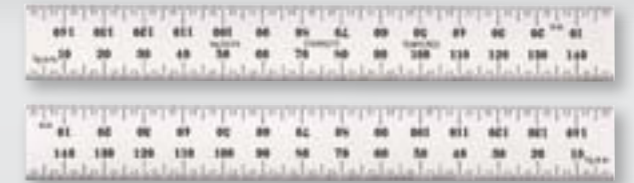


- Reversible lock bolts, scribe, spirit level in both square and protractor heads, direct reading double 180° protractor scale
- Hardened steel, photoengraved blade
- Cast iron heads with black wrinkle finish

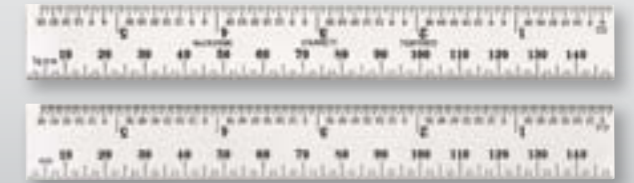
Cat No.	EDP	Size	Graduation	Sale
9M-300	56253	300mm	mm, 1/2mm, both sides	€ 115.00
9ME-300	50047	300mm/11.3/4"	1/2mm, 32nds; mm, 64ths	€ 115.00

### 635/636 Steel Rules

#### C635-150 Rule



#### C636ME-150 Rule



- Spring-tempered steel rules
- Starrett satin chrome finish

Cat No.	EDP	Size	Grad.	Sale
C635-150	52630	150 x 19 x 1.2mm	mm, 1/2mm, both sides	€ 5.00
C635-300	52631	300 x 25.4 x 1.2mm	sides	€ 9.50
C636-300	52635	300 x 25.4 x 1.2mm	32nds, 1/2mm;	€ 9.50
C636ME-150	52634	150 x 19 x 1.2mm	64ths, mm	€ 5.00

### 3020 Toolmakers' Stainless Steel Squares



- This high quality toolmakers' square is not graduated
- Squareness accuracy to 0.005mm (.0002") for every 150mm (6")
- Hardened, ground and lapped stainless steel construction on both the blade and the beam
- Beam is machined at the inner corner for clearance of burrs or dirt
- Packed one in a plastic case
- 300mm (12") square shipped in box with fitted foam insert

Cat No.	EDP	Length	Sale
3020M-75	12392	75mm/3"	€ 24.00
3020M-100	12393	100mm/4"	€ 26.00
3020M-150	12394	150mm/6"	€ 30.00
3020M-300	12395	300mm/12"	€ 83.00

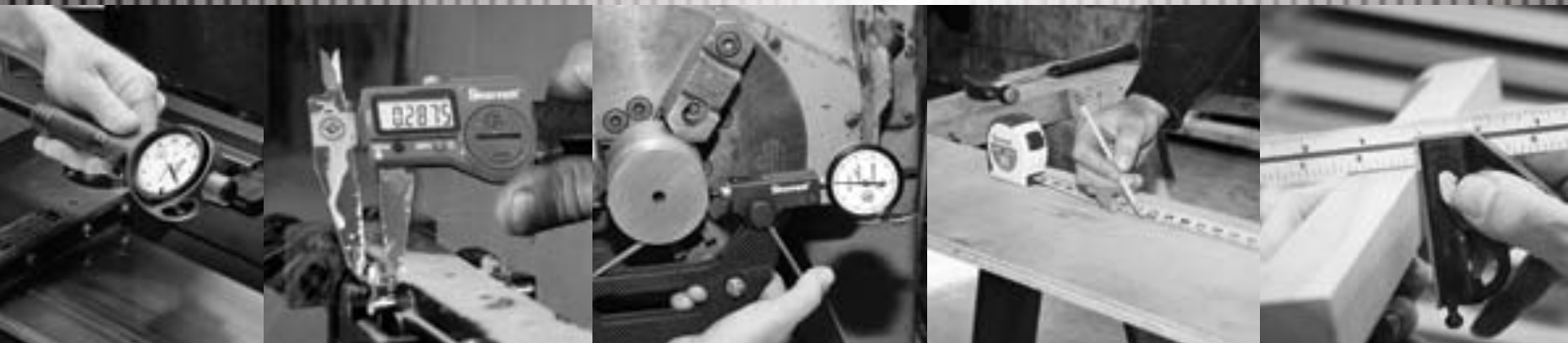
### C359DZ Universal Bevel Protractors



- Satin chrome finish
- Hardened 300mm (12") blade can be rotated to desired angle
- Dial and blade can be locked independently
- Flush surfaces on base permits use on height gages
- Machine-divided graduations read to 5 minutes (1/12 of a degree) and accuracy is finer than can be read

Cat No.	EDP	Blade	Graduation	Sale
C359DZ	51396	300mm/12"	5 minutes or 1/12 degree	€ 119.00

# Starrett®



**The L. S. Starrett Co Ltd**  
**Oxnam Road**  
**Jedburgh**  
**Scotland**  
**TD8 6LR**  
**Tel: 00 44 (0)1835 863501**  
**Fax: 00 44 (0)1835 863018**  
**Email: [sales@starrett.co.uk](mailto:sales@starrett.co.uk)**  
**Web: [www.starrett.co.uk](http://www.starrett.co.uk)**

*Prices in Euros*  
*Sale Ends 30 June 2011*  
*Specifications subject to change*

Promo 11.1G 02/11  
© The L.S. Starrett Company